

**Mr. Square
High Chair**

Design: Mr. Square, Peter Horn, 2007
High Chair, 2018

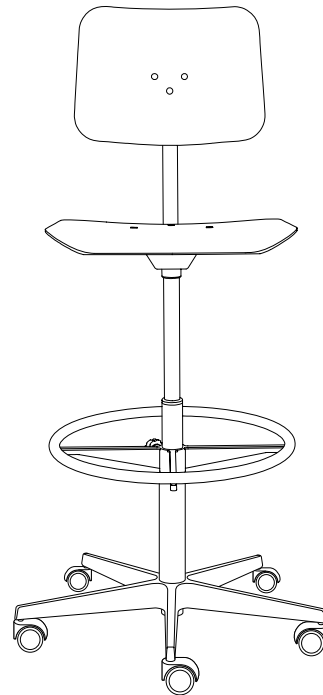
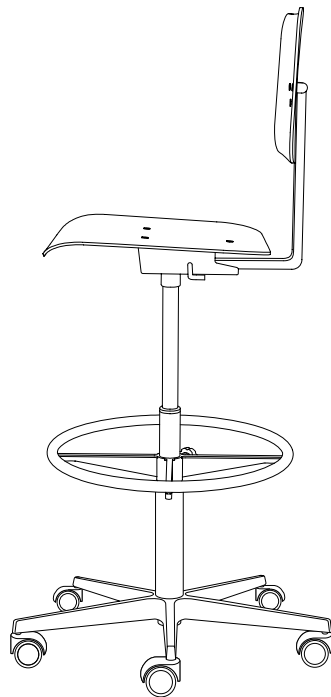
seat dimensions: 420 × 420 mm
height adjustment: approx. 540 to 790 mm

star base and frame: cast aluminium,
white RAL 9010 or black RAL 9005 powder-coated

seat and backrest: beech plywood
white RAL 9010 or black RAL 9005
natural oak, veneered, satin lacquer finish

castors with grey tread for hard floors,
special castors for counter chairs:
blocked under load, load-dependent braking

armrest white RAL 9010 or black RAL 9005 powder-coated



- | | |
|--|---|
| white: | x |
| star base, seat and backrest white; all other components black | |
| black: | x |
| monochrome black | |
| oak | x |
| all metal components monochrome white or black | |
| padded seat; cover: 'Salt + Pepper' | x |
| armrest white or black | x |