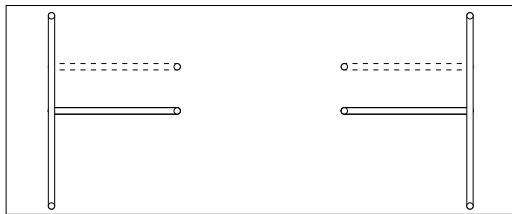
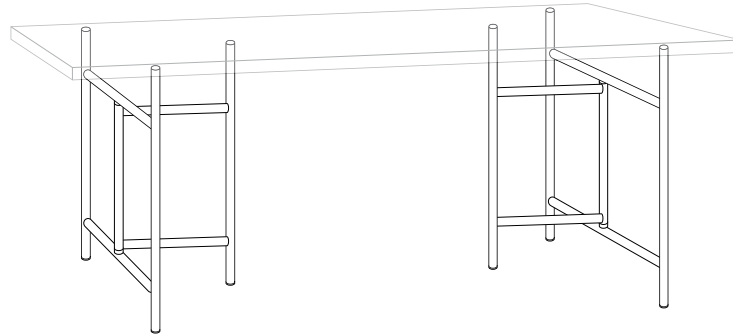


**Eiermann 3**  
**Stainless Steel Trestle**

Design: Alexander Seifried, 2015

depth lateral supports: 580/780 mm  
 length stretcher: 390  
 height trestle/incl. tabletop 30 mm: 690/720 mm  
 height incl. levelling feet and tabletop: 733 - 753 mm

stainless steel V4A frame or hot-dip galvanized



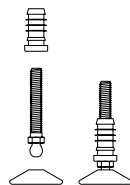
centrally or off-centre

Prices for 1 set of trestles  
 including rubber caps and levelling screw  
 frame depth 580/780 mm, stretcher length 390 mm

hot-dip galvanized x  
 V4A stainless steel x

tabletop	width x depth	
5 layer plywood solid spruce/fir		
weather-resistant glue	1600 x 830 mm	x
(AW 100), oiled	2000 x 900 mm	x

**Accessories**  
 levelling feet, stainless steel,  
 set of 6



mounting bracket, stainless steel,  
 set of 4

