

Eiermann 3

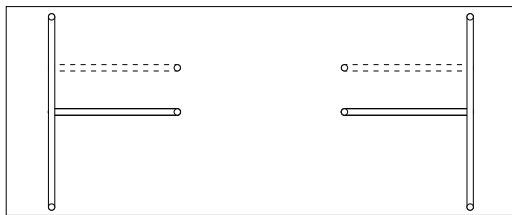
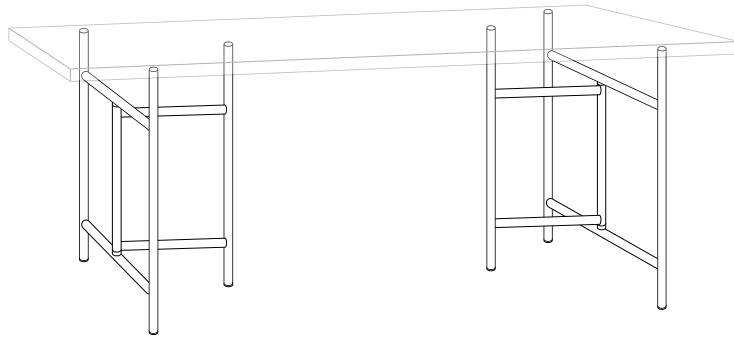
Trestle

Design: Alexander Seifried, 2015

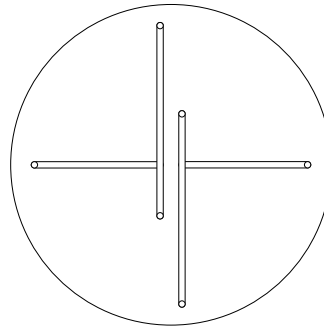
depth lateral supports:	580/780 mm
length stretcher:	290/390/780 mm
height trestle/incl. tabletop 30mm:	690/720 mm
height incl. levelling feet and tabletop:	733 – 753 mm

frame

black RAL 9005, white RAL 9010, chrome-plated, stainless steel V4A or hot-dip galvanized



can be positioned centrally or off-centre



We recommend:

tabletops 600 to 800 mm wide and 1000 to 1600 mm long with trestle 580 x 290 mm

tabletops 900 mm and wider, and 1600 to 2400 long with trestle 780 x 390 mm

large tabletops up to 4000 mm long with trestle 780 x 780 mm

round tabletops ø 700 to 1000 mm with trestle 580 x 290 mm; ø 1000 to 1500 mm with trestle 780 x 390 mm

Prices for 1 set of trestles

including rubber caps and levelling screw

side frame depth 580/780 mm	stretcher length		
	290 mm	390 mm	780 mm
black or white	x	x	x
chrome-plated	x	x	x
hot-dip galvanized		x	
stainless steel V4A		x	

Accessories

levelling feet, set of 6	x		
levelling feet, stainless steel, set of 6	x		
mounting bracket, stainless steel, set of 4			
stainless steel	x		
white or black lacquer finish	x		

