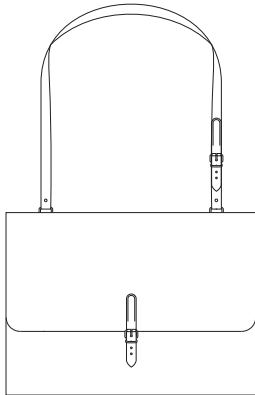


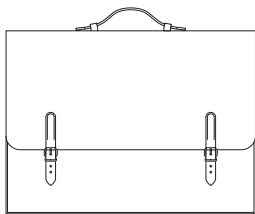
Leather Briefcases
Compagnons
Design
Otto Sudrow
1985 following



A4
hanging bag
black or brown
x

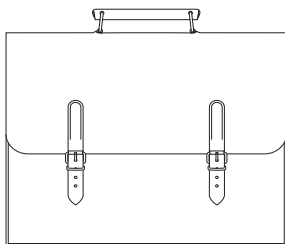


A4 college bag
black
x



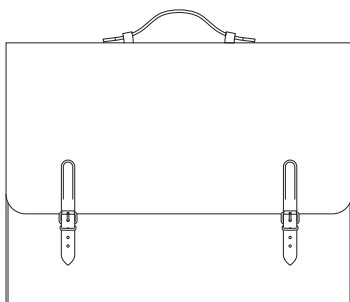
A4 50
black
x

with belt
x



A4 90
black
x

with belt
x



A3
black
x

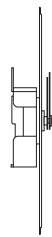
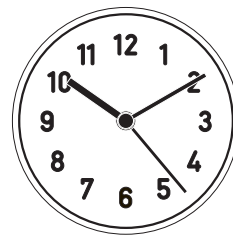
RICHARD LAMPERT

Richard Lampert
GmbH & Co KG

Gaisburgstraße 12 b
D 70182 Stuttgart

Fon 0711 860 20 70
Fax 0711 860 20 720

www.richard-lampert.de
mail@richard-lampert.de



Wallclock
Alu Alu
Design
Jochen Gros
1979

aluminum 150 mm

white-black
alu-black
alu-alu
red-black
yellow-black

x