

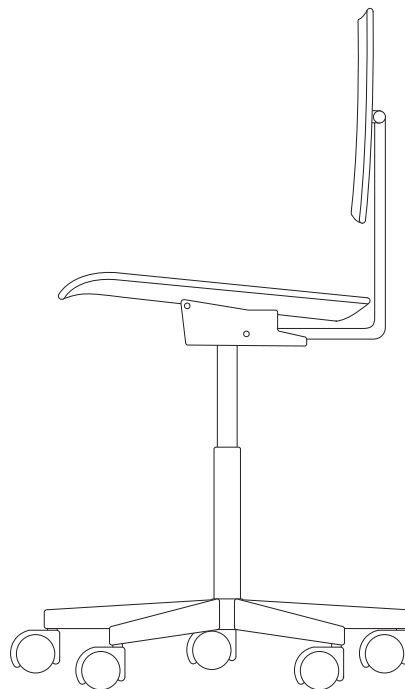
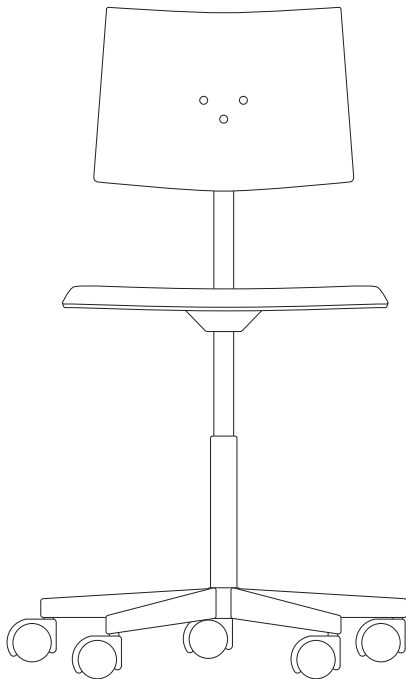
**Working Chair**  
**Mr. Square**  
Design  
Peter Horn  
2007

seat dimensions  
420 x 420 mm  
height adjustment  
ca. 390 - 520 mm

footcross and back structure  
polished cast aluminum

seat and back  
beech plywood

grey rubber wheels  
for hard floors  
black plastic wheels  
for soft floors



natural beech or  
white RAL 9010 or  
black RAL 9005

**RICHARD LAMPERT**

Richard Lampert  
GmbH & Co KG

Gaisburgstraße 12 b  
D 70182 Stuttgart

Fon 0711 860 20 70  
Fax 0711 860 20 720

[www.richard-lampert.de](http://www.richard-lampert.de)  
[mail@richard-lampert.de](mailto:mail@richard-lampert.de)