

## Lounge Chair

Design  
Herbert Hirche  
1953

### chair

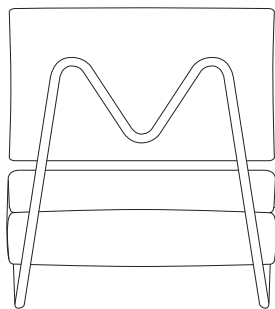
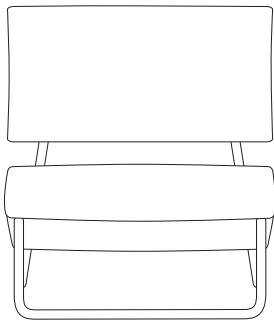
seating surface: 570 x 570 mm  
depth: 800 mm  
height: 690 mm  
sitting height: ca. 240 mm

### foot rest

seating surface: 570 x 570 mm  
height: 340 mm

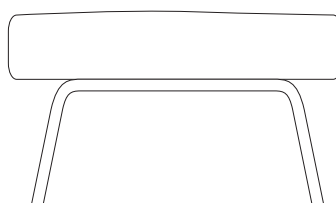
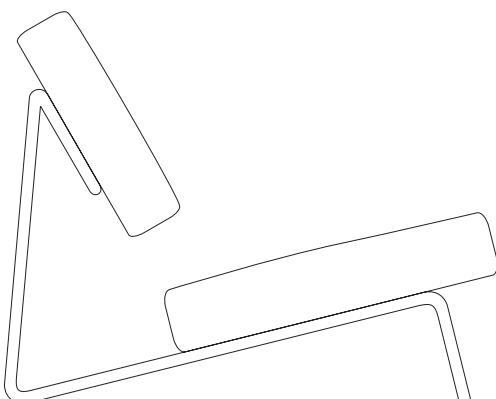
### frame steel pipe

chrome plated  
dark bronze  
basalt grey RAL 7012  
white RAL 9010 for outdoor use



		chair	foot rest	total price
fabric 1	dark grey, light grey, brown; 65% wool, 15% WS, 20% PA	x	x	x
fabric 2	pepita; 74% wool, 23% cotton 3% PA; or brown with yellow seams or grey with beige seams 85% WO, 15% PA	x	x	x
fabric 3	knitted fabric, wadded, graphite, with piping; 25% wool 15% PL/PA, 2% EL, 58% PL filling	x	x	x
	cow skin black-white or brown-white	x	x	x
	leather beige grey or dark brown	x	x	x

(COM identical to fabric 1)



# RICHARD LAMPERT

Richard Lampert  
GmbH & Co KG

Gaisburgstraße 12 b  
D 70182 Stuttgart

Fon 0711 860 20 70  
Fax 0711 860 20 720

[www.richard-lampert.de](http://www.richard-lampert.de)  
[mail@richard-lampert.de](mailto:mail@richard-lampert.de)

**Lounge Chair Outdoor**

Design  
Herbert Hirche  
1953

chair

seating surface: 570 x 570 mm

depth: 800 mm

height: 690 mm

sitting height: ca. 240 mm

foot rest

seating surface: 570 x 570 mm

height: 340 mm

frame steel pipe

white RAL 9010 for outdoor use

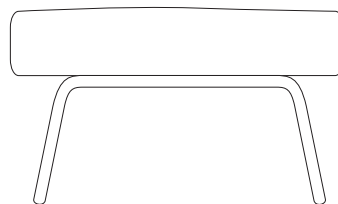
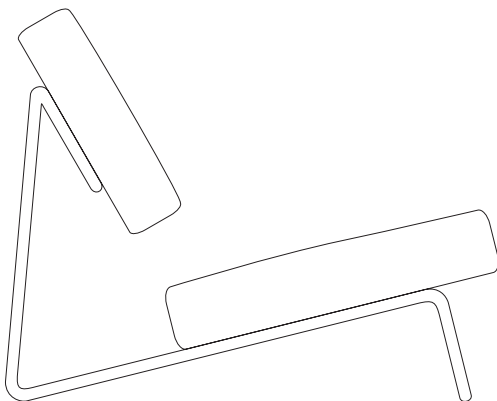
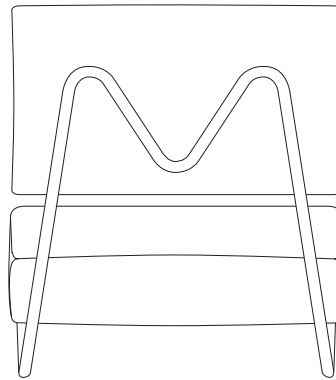
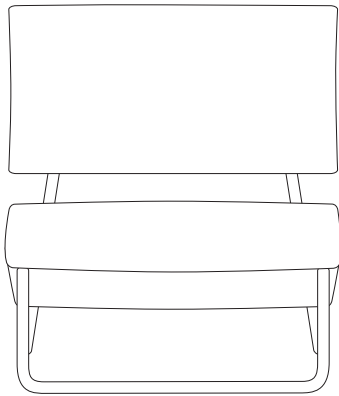
**RICHARD LAMPERT**

Richard Lampert  
GmbH & Co KG

Gaisburgstraße 12 b  
D 70182 Stuttgart

Fon 0711 860 20 70  
Fax 0711 860 20 720

[www.richard-lampert.de](http://www.richard-lampert.de)  
[mail@richard-lampert.de](mailto:mail@richard-lampert.de)



		chair	foot rest	total price
fabric 4	outdoor version, light blue; 100% PES**	x	x	x

\*Please note that outdoor fabrics can bleach out weather-relatedly.