

Chair and Sofa

Cup

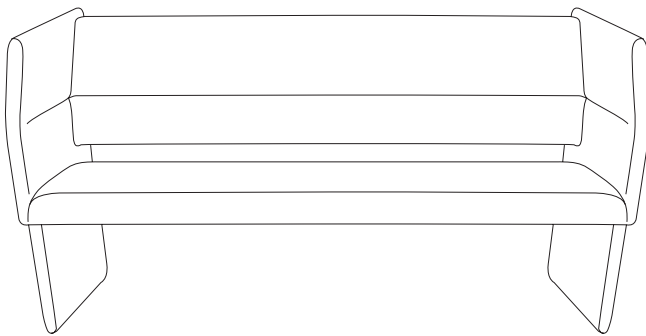
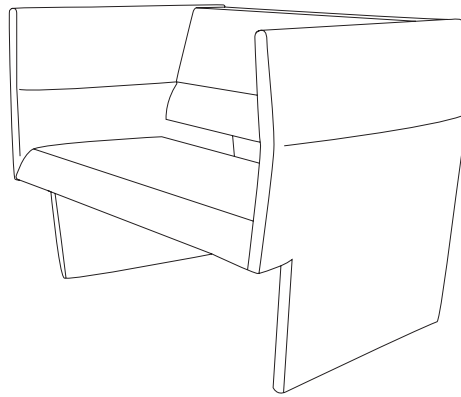
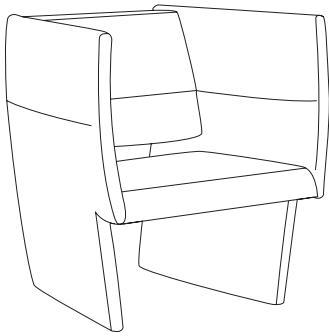
Design

Eric Degenhardt

2007/2008

depth: 750 mm
height: 850 mm
sitting height: 430 mm
width: 750/1250/1750 mm

frame birch multiplex
traditionally upholstered



	chair	2-seater	2,5-seater
COM	x	x	x
price group 2	x	x	x
price group 3	x	x	x

Price group 2 is Kvadrat fabric Tinta 3 (100% wool),
Steelcut or Steelcut Trio (90% wool, 10% PA).

If 2 colours are used (inside/outside), the designer suggests the
lighter colour inside.

Tinta 3: 520 + 590, 224 + 244, 160 + 680, 160 + 180, 750 + 790, 974 + 180
Steelcut: 760 + 780, 240 + 250, 370 + 380, 550 + 660, 160 + 180, 980 + 180

Price group 3 is Kvadrat Hallingdal (70% wool, 30% VV), Divina 3 (100% wool),
Divina Mélange (100% wool)

RICHARD LAMPERT

Richard Lampert
GmbH & Co KG

Gaisburgstraße 12 b
D 70182 Stuttgart

Fon 0711 860 20 70
Fax 0711 860 20 720

www.richard-lampert.de
mail@richard-lampert.de