

**Folding Sofa Table
Flip**

Design
Alexander Seifried
2008

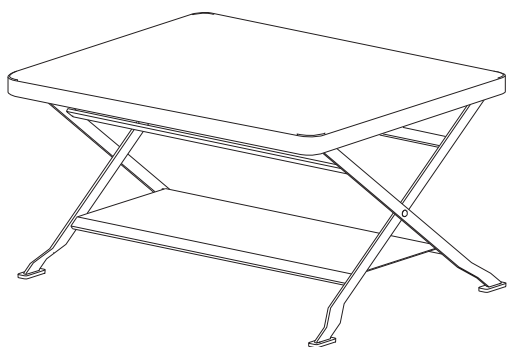
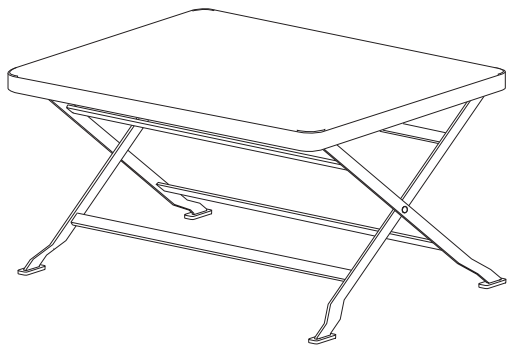
length: 660 mm
width: 500 mm
height: 390 mm

steel powder coated
white RAL 9010
quarz-grey RAL 7039

x

bottom plate

x



**Folding Balcony Table
Flip**

Design
Alexander Seifried
2008

length: 750 mm
width: 590 mm
height: 750 mm

steel powder coated
white RAL 9010
quarz-grey RAL 7039

x



RICHARD LAMPERT

Richard Lampert
GmbH & Co KG

Gaisburgstraße 12 b
D 70182 Stuttgart

Fon 0711 860 20 70
Fax 0711 860 20 720

www.richard-lampert.de
mail@richard-lampert.de

all surfaces micro structure matt

The folding tables are first treated with phosphate and then powder coated. Therefore they have a limited, but good UV and weather resistance. They can be used outdoor.