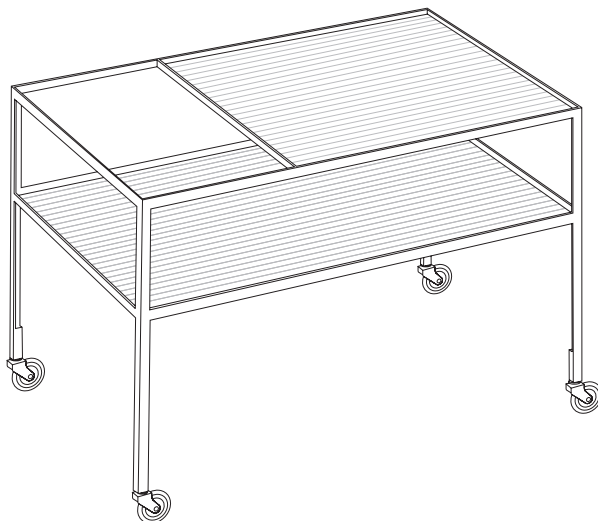
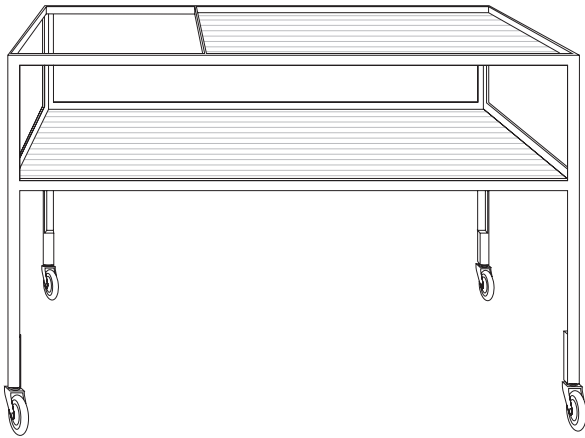


**Trolley**  
Design  
Herbert Hirche  
1956

length: 700 mm  
width: 464 mm  
height: 506 mm

frame  
steel angle black RAL 9005 powdercoated  
structured safety glass 4 mm

x



substitute glass: 2 pieces

x

**RICHARD LAMPERT**

Richard Lampert  
GmbH & Co KG

Gaisburgstraße 12 b  
D 70182 Stuttgart

Fon 0711 860 20 70  
Fax 0711 860 20 720

[www.richard-lampert.de](http://www.richard-lampert.de)  
[mail@richard-lampert.de](mailto:mail@richard-lampert.de)