

## Working Chair

### Seesaw

Design

Peter Horn

1999/2000

dimensions

420 x 420 mm

height adjustment

from 425 to 540 mm

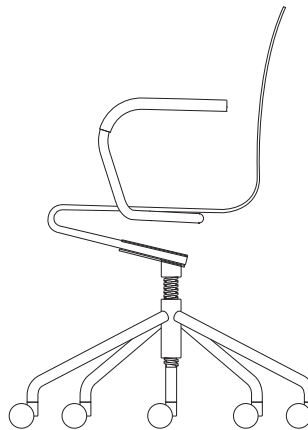
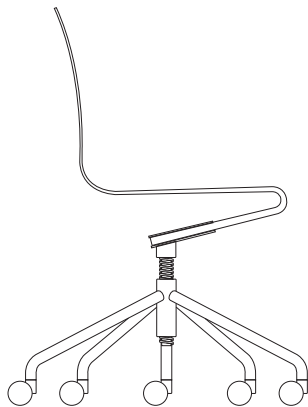
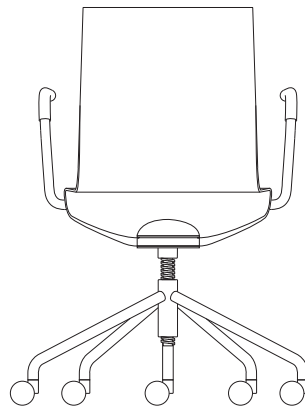
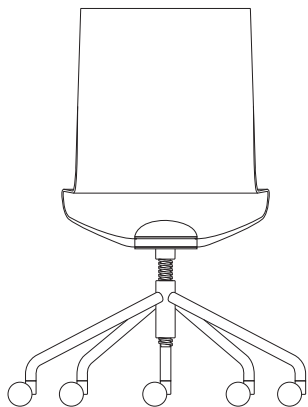
frame chrome

sitting shell beech plywood

chrome wheels

with black tread

for all floors



natural beech	x
natural beech and white melamine	x
black ash	x
beech with felt	x
black ash with felt	x
beech upholstered	x
arm rest	x

# RICHARD LAMPERT

Richard Lampert  
GmbH & Co KG

Gaisburgstraße 12 b  
D 70182 Stuttgart

Fon 0711 860 20 70  
Fax 0711 860 20 720

[www.richard-lampert.de](http://www.richard-lampert.de)  
[mail@richard-lampert.de](mailto:mail@richard-lampert.de)